

PLEASE CHECK WWW.MOLEX.COM FOR LATEST PART INFORMATION

Part Number: **5031084010**
Status: **Active**
Overview: [slimstack_mm016_pitch](#)
Description: 0.40mm (.016") Pitch SlimStack™ Board-to-Board, Plug, SMT, Dual Row, Vertical Stacking, 1.50mm (.059") Stacking Height, Without Solder Tabs, 40 Circuits

Documents:

[3D Model](#) [Product Specification PS-503105-001 \(PDF\)](#)
[Drawing \(PDF\)](#) [RoHS Certificate of Compliance \(PDF\)](#)

General

Product Family PCB Headers
Series [503108](#)
Application Board-to-Board
Overview [slimstack_mm016_pitch](#)
Product Name SlimStack™

Physical

Breakaway No
Circuits (Loaded) 40
Color - Resin Black
Durability (mating cycles max) 30
Glow-Wire Compliant No
Mated Height (in) 0.059 In
Mated Height (mm) 1.50 mm
Material - Metal Phosphor Bronze
Material - Plating Mating Gold
Material - Plating Termination Gold
Number of Rows 2
Orientation Vertical
PCB Locator No
PCB Retention None
Packaging Type Embossed Tape on Reel
Pitch - Mating Interface (in) 0.016 In
Pitch - Mating Interface (mm) 0.40 mm
Polarized to Mating Part No
Polarized to PCB No
Stackable No
Temperature Range - Operating -30°C to +75°C
Termination Interface: Style Surface Mount

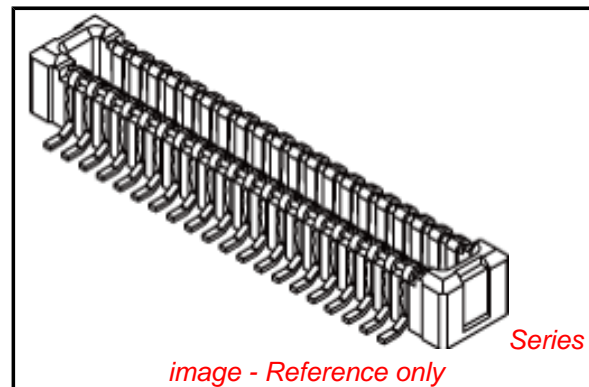
Electrical

Current - Maximum per Contact 0.3A
Voltage - Maximum 50V AC (RMS)/DC

Material Info

Reference - Drawing Numbers

Packaging Specification SPK-503108-001
Product Specification PS-503105-001, RPS-503105-003
Sales Drawing SD-503108-001, SD-503108-002



EU RoHS

**ELV and RoHS
Compliant
REACH SVHC
Contains SVHC: No
Halogen-Free
Status
Not Reviewed**

China RoHS



**Need more information on product
environmental compliance?**

Email productcompliance@molex.com
For a multiple part number RoHS Certificate of Compliance, [click here](#)

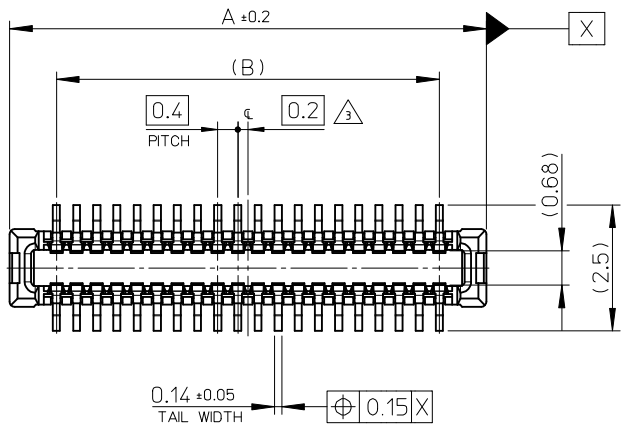
Please visit the [Contact Us](#) section for any non-product compliance questions.

Search Parts in this Series

[503108Series](#)

Mates With

[503105 PCB Receptacle](#)



注記 NOTES

1. 使用材料 MATERIAL

ハウジング: 液晶ポリマー (LCP) ガラス充填 UL94V-0 (黒)
 HOUSING: LIQUID CRYSTAL POLYMER (GLASS FILLED) UL94V-0 (COLOR: BLACK)
 ターミナル: りん青銅 (t=0.1)
 TERMINAL: PHOSPHOR BRONZE (t=0.1)

2. メッキ仕様 PLATING

ターミナル TERMINAL

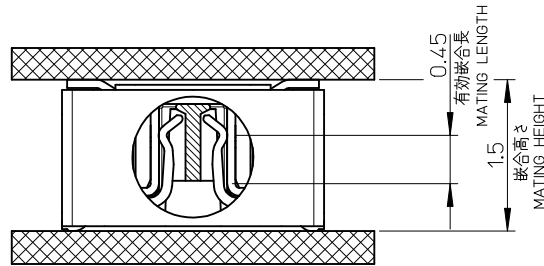
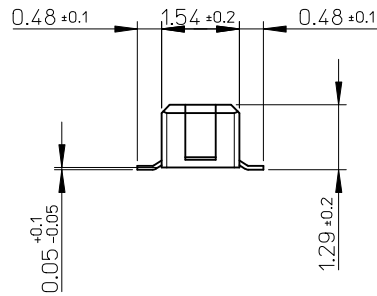
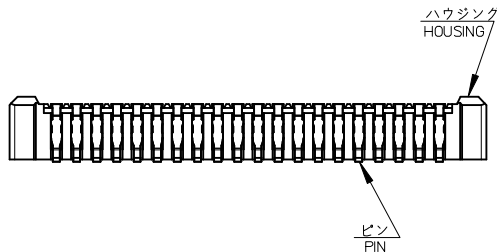
金メッキ 0.1 マイクロメートル以上 (コンタクト部)
 GOLD 0.1 MICROMETER MINIMUM (CONTACT AREA)
 金メッキ 0.05 マイクロメートル以上 (テール部)
 GOLD 0.05 MICROMETER MINIMUM (TAIL AREA)
 下地メッキ: ニッケルメッキ 1.0 マイクロメートル以上
 UNDER PLATING: NICKEL 1.0 MICROMETER MINIMUM

※コンタクト部とテール部はニッケルメッキによって分断されている金メッキです。
 DIVIDE INTO PARTS THE GOLD PLATING OF THE CONTACT AND THE TAIL PART BY THE NICKEL PLATING.

※封孔処理品
 SEALING TREATMENT

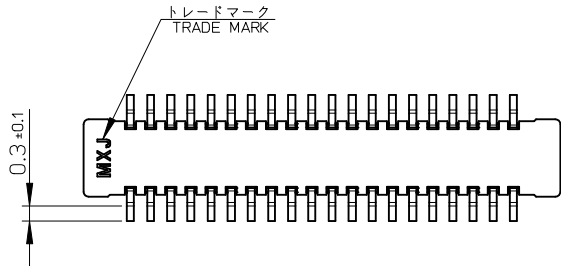
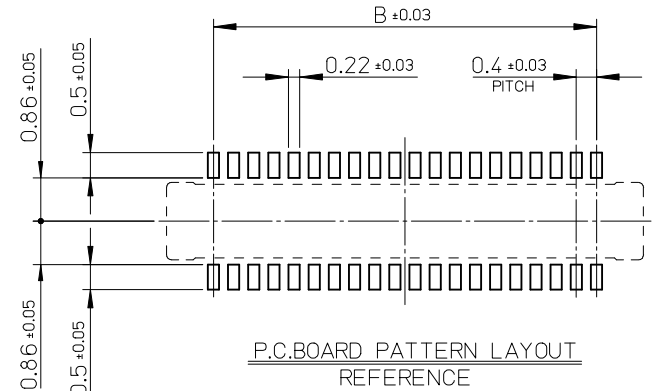
△3 (全極数/2) = 偶数の場合に適用。
 APPLY FOR (CIRCUIT/2) = EVEN.

4. 嵌合相手: 503105 シリーズ
MATE WITH: 503105 SERIES.
5. テール平坦度は、0.1 以下
TAIL COPLANARITY TO BE 0.1 MAXIMUM.
6. ELV 及び RoHS 適合品
ELV AND RoHS COMPLIANT.



嵌合断面図 (参考)

MATED DRAWING (REFERENCE)

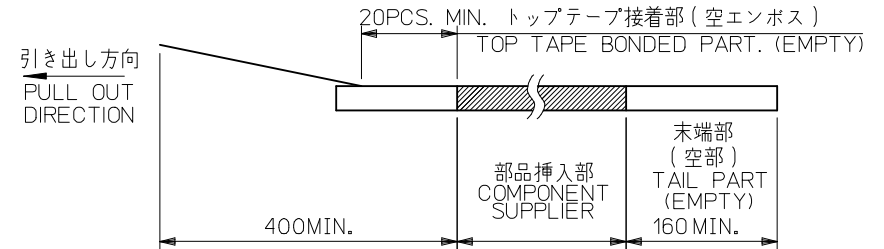


9.6	11.46	503108-5010	50
8.4	10.26	503108-4410	44
7.6	9.46	503108-4010	40
B	A	EMBOSSED TAPE	CKT.
		ORDER No. オーダー番号	
CONNECTOR SERIES No. : 503108-**-19			

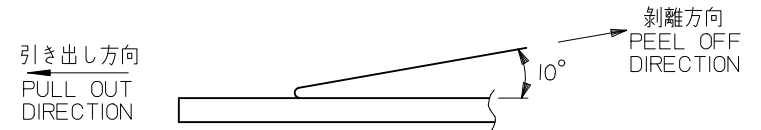
REVISED EC NO: J2010-0621 DRWN: TANIGUCHI 012009/09/25 CHKD: THIRATA 2009/09/25 APPR: MSASAO 2009/09/25	GENERAL TOLERANCES (UNLESS SPECIFIED)		DIMENSION STYLE MM ONLY		SCALE 10:1	DESIGN UNITS METRIC	THIRD ANGLE PROJECTION
	10 UNDER	±---	DRAWN BY RTAKEUCHI	DATE 2008/07/02	TITLE 0.4 B-TO-B CONN. HGT=1.5 W/O NAIL W=2.6 PLUG ASSY		
	10 OVER 30 UNDER	±---	CHECKED BY MSASAO	DATE 2008/07/02	MOLEX INCORPORATED		
	30 OVER	±---	APPROVED BY MSASAO	DATE 2008/07/02	DOCUMENT NO. SD-503108-001		
	ANGULAR	±---°	MATERIAL NO.	SEE CHART	SHEET NO. 1 OF 1		
REV	DRAFT WHERE APPLICABLE MUST REMAIN WITHIN DIMENSIONS		THIS DRAWING CONTAINS INFORMATION THAT IS PROPRIETARY TO MOLEX INCORPORATED AND SHOULD NOT BE USED WITHOUT WRITTEN PERMISSION				

注記 NOTES

- 製品詳細寸法については製品単体図面を参照下さい。
FOR DETAIL OF CONNECTOR DIMENSIONS,
PLEASE SEE THE DRAWING OF CONNECTOR ITSELF (NOT PACKAGED).
- 梱包数量: 3000 個/リール
NUMBER OF CONNECTORS : 3000PCS/REEL
- リードテープ長さ LEAD TAPE LENGTH

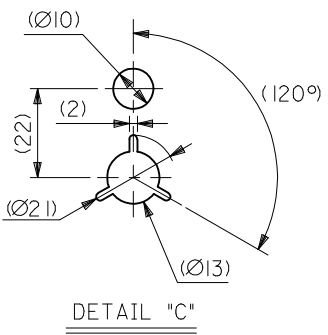
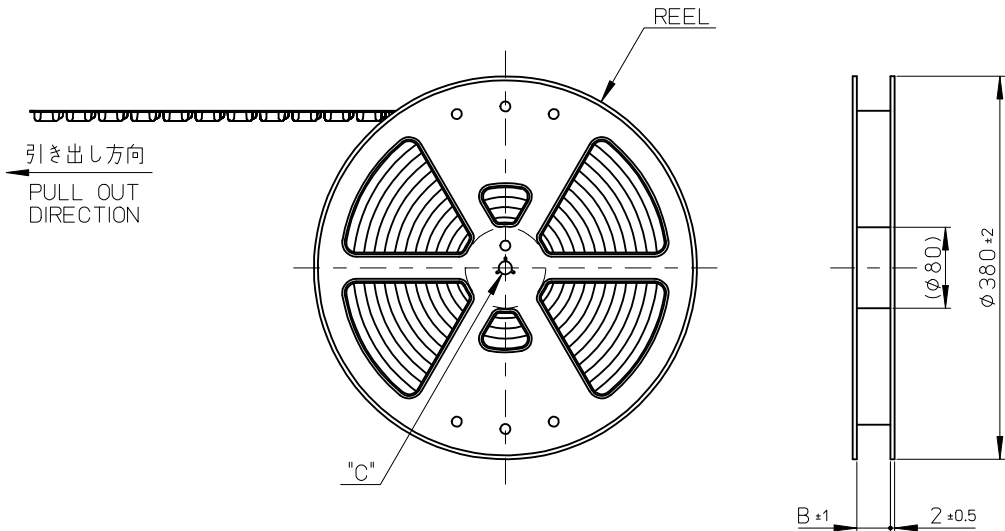


- トップテープの剥離強度: 0.1N~1.3N(10gf~130gf)
(剥離方向は下図参照)
尚、本規格値は出荷時に適用。(但し、輸送時に剥離が発生しないこと。)
PEELING OFF FORCE OF TOP TAPE : 0.1N~1.3N(10gf~130gf)
(PEELING DIRECTION AS SHOWN IN FOLLOWING FIG.)
THIS REQUIREMENT SHOULD BE APPLIED AT SHIPMENT.
PEEL OFF SHOULD NOT BE ALLOWED, DURING TRANSPORTION.



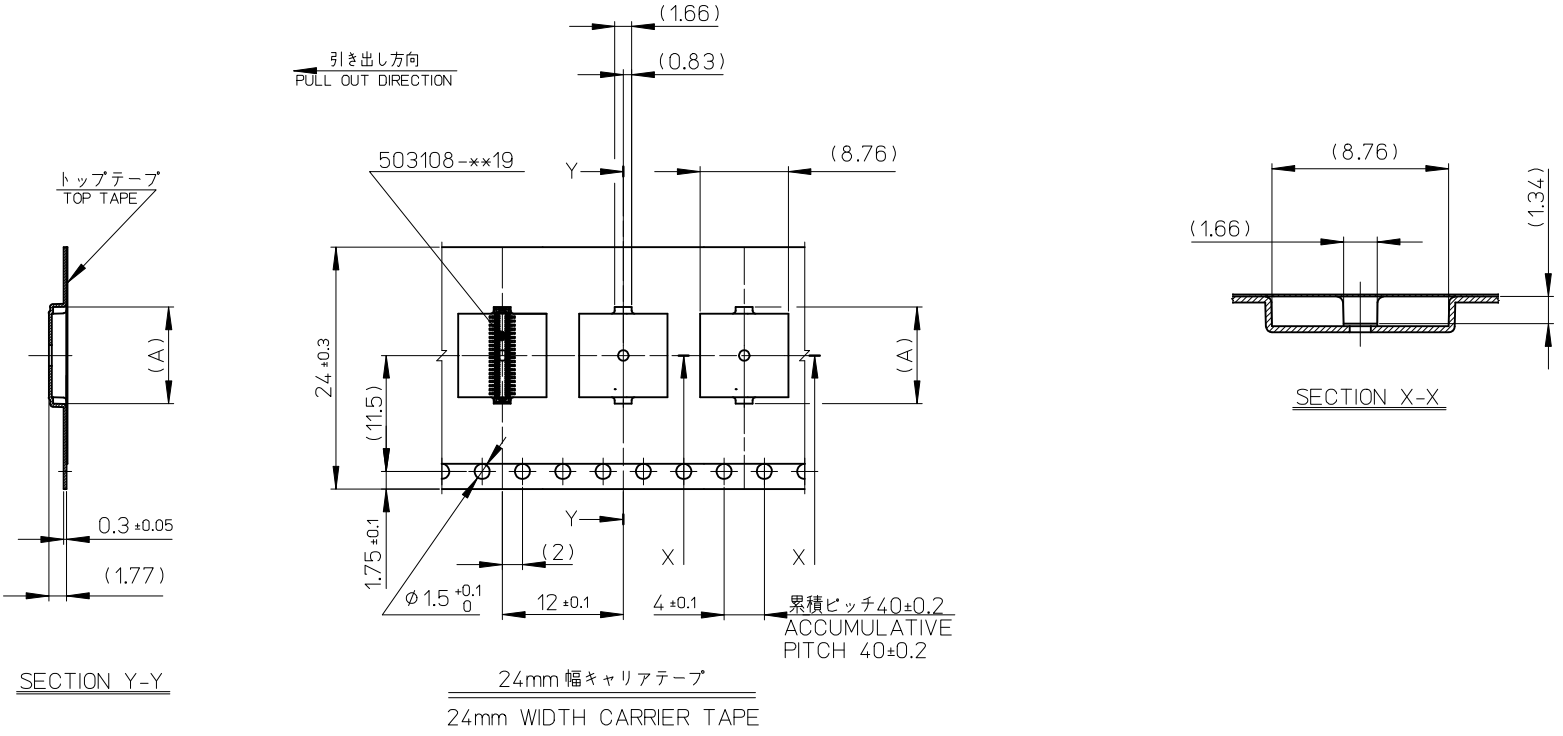
- 材料 MATERIAL
キャリアテープ (CARRIER TAPE): ポリスチレン (POLYSTYRENE)
トップテープ (TOP TAPE): PET, PE, PEF
リール (REEL): ポリスチレン (PS) <リサイクル材を含む>
POLYSTYRENE (PS) <RECYCLE MATERIAL CONTAINED>
- ELV 及び RoHS 適合品
ELV AND RoHS COMPLIANT

10 9 8 7 6 5 4 3 2 1



REVISED EC NO.: J2009-2865 DRWN: TANI GUCHI 012009/06/22 CHKD: THIRATA 2009/06/22 APPR: MSASAO 2009/06/22	GENERAL TOLERANCES (UNLESS SPECIFIED)		DIMENSION STYLE MM ONLY		SCALE ---	DESIGN UNITS METRIC	MODEL NO. 503108-**10
	10 UNDER	± ---	DRAWN BY RTAKEUCHI	DATE 2008/08/20	TITLE 0.4 B-T0-B CONN. HGT=1.5 PLUG ASSY EMBSTP PKG		
	10 OVER 30 UNDER	± ---	CHECKED BY THIRATA	DATE 2008/08/20	MATERIAL NO. SEE CHART		
	30 OVER	± ---	APPROVED BY MSASAO	DATE 2008/08/20	DOCUMENT NO. SD-503108-002		
ANGULAR	± --- °	DRAFT WHERE APPLICABLE MUST REMAIN WITHIN DIMENSIONS		SHEET NO. 1 OF 2		MOLEX INCORPORATED	
THIS DRAWING CONTAINS INFORMATION THAT IS PROPRIETARY TO MOLEX INCORPORATED AND SHOULD NOT BE USED WITHOUT WRITTEN PERMISSION				EN-02JA(021)			

9 8 7 6 5 4 3 2 1



24	25.5	11.58	503108-5010	50
		10.38	503108-4410	44
		9.58	503108-4010	40
キャリアテープ幅 CARRIER TAPE WIDTH	B	(A)	MATERIAL No.	CKT.
			MODEL No.	503108-**-10

REVISED EC NO.: J2009-2865 DRWN: TANI GUCHI 01/2009/06/22 CHK'D: THIRATA 2009/06/22 APPR: MSASAO 2009/06/22	DESCRIPTION	GENERAL TOLERANCES (UNLESS SPECIFIED)	DIMENSION STYLE MM ONLY	SCALE ---	DESIGN UNITS METRIC	THIRD ANGLE PROJECTION
	REV	10 UNDER ±---	DRAWN BY RTAKEUCHI	DATE 2008/08/20	TITLE 0.4 B-TO-B CONN. HGT=1.5 PLUG ASSY EMBSTP PKG	
		10 OVER 30 UNDER ±---	CHECKED BY THIRATA	DATE 2008/08/20	APPROVED BY MSASAO	
		30 OVER ±---	APPROVED BY MSASAO	DATE 2008/08/20	MATERIAL NO. SEE CHART	
		ANGULAR ±---°	DRAFT WHERE APPLICABLE MUST REMAIN WITHIN DIMENSIONS	DOCUMENT NO. SD-503108-002		SHEET NO. 2 OF 2